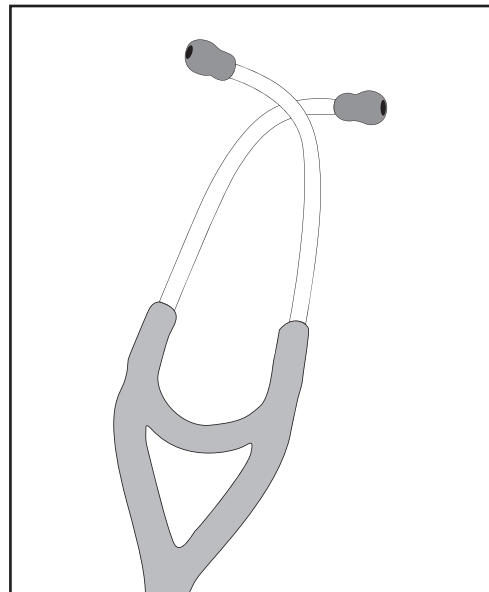
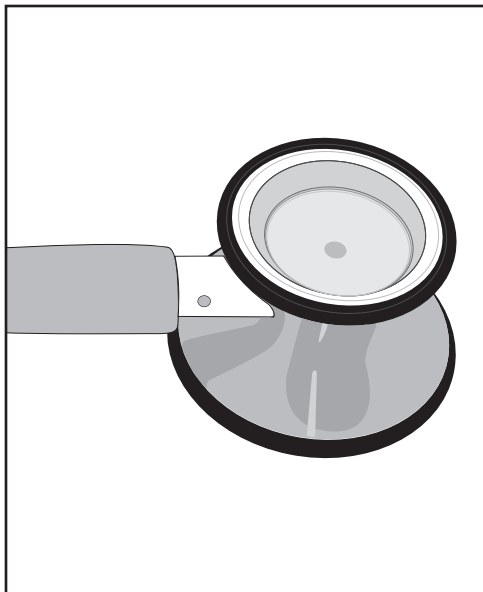
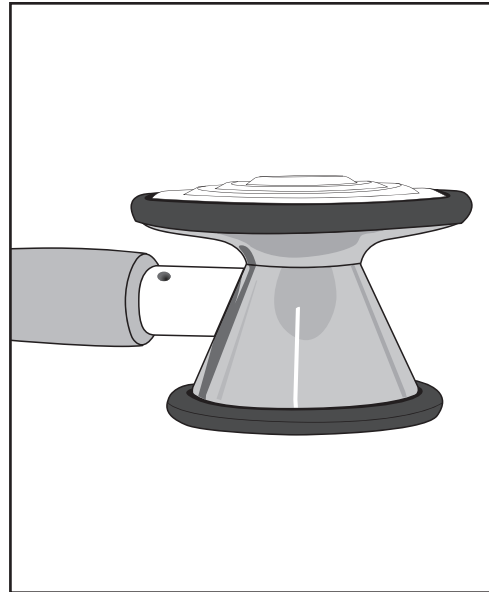
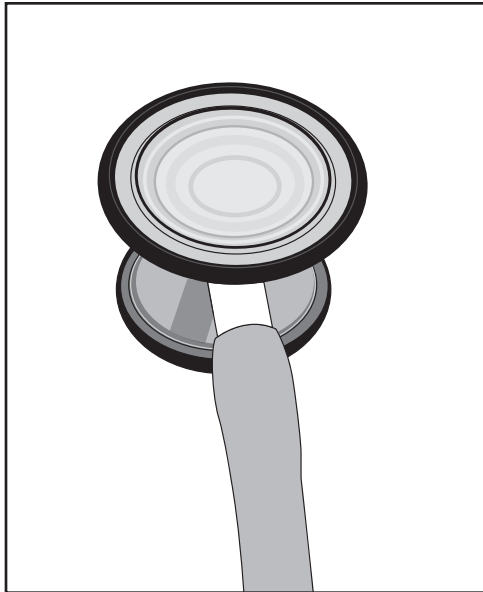
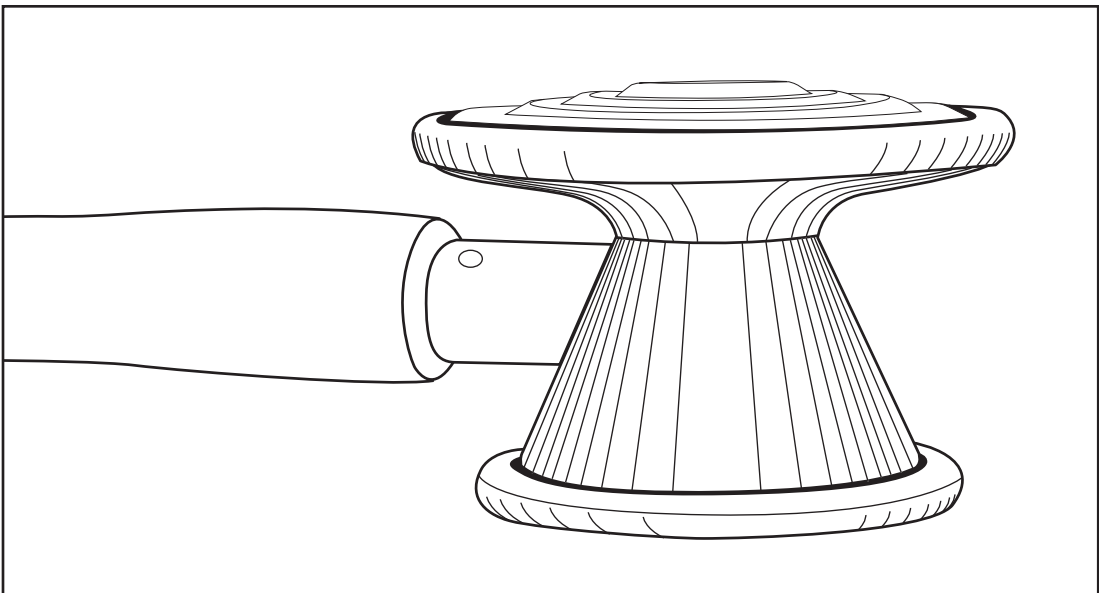
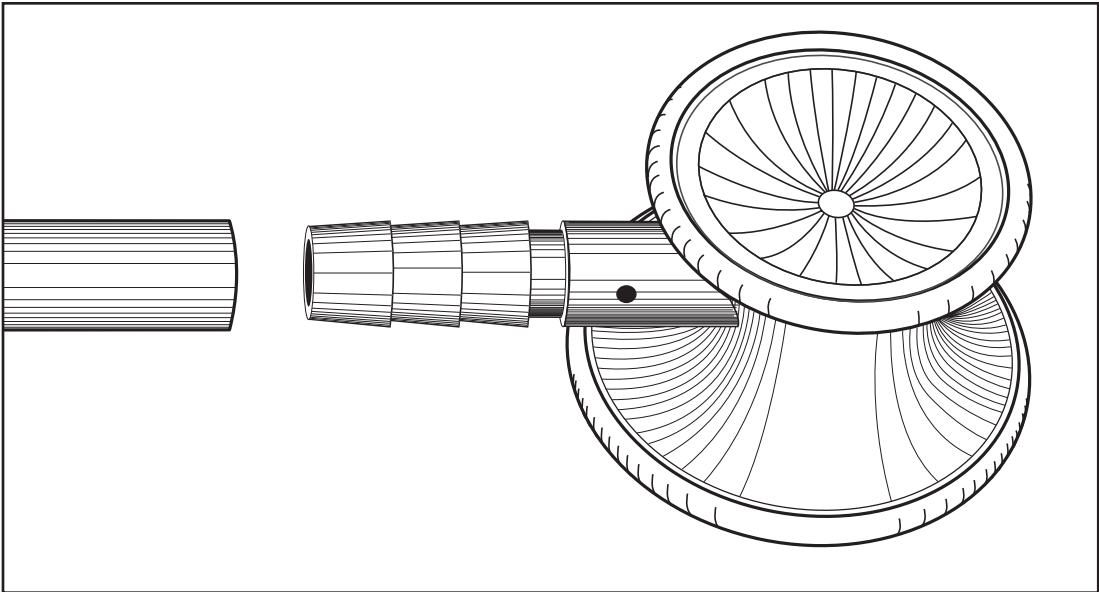


eGeneralMedical Delphi Cardiology Stethoscope



eGeneralMedical Delphi Cardiology Stethoscope
Contour



eGeneralMedical Delphi Cardiology Stethoscope

Features

Fig. A

1. Blue ribbing thread within the chestpiece to lock sound in within the recessed acoustic chambers for effective reverberance.

2. “Easy Touch” ultra sensitive multi-tiered membrane diaphragm for sound amplification and minimal contact between the diaphragm and patient.

3. Non-chill rim. (Plastic) Provides more comfortable skin contact for patients, versus a metallic rim.

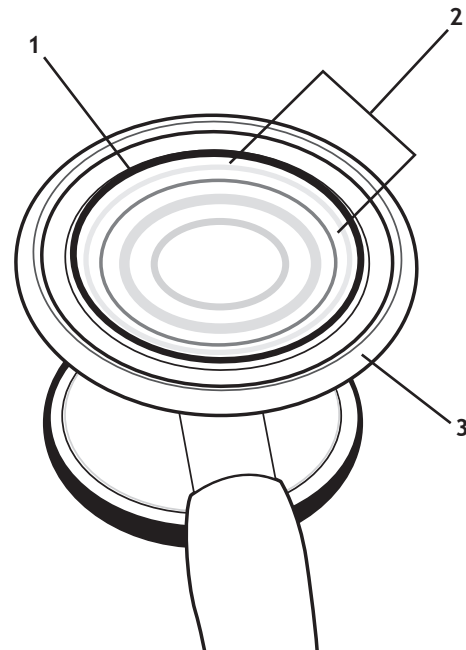
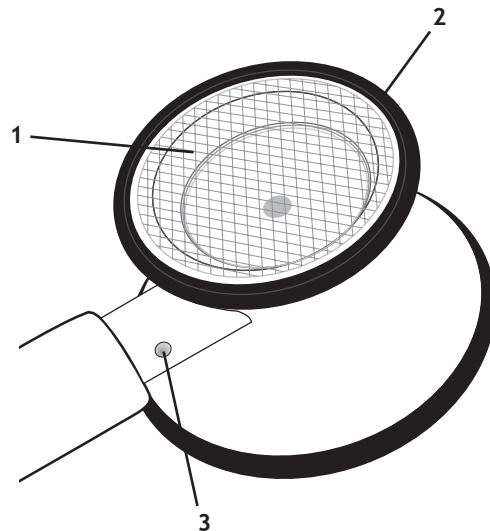


Fig. B

1. Pediatric membrane provides maximum contact, and sensitivity.

2. Non-chill rim. (Plastic)

3. Dot on metal stem; marking which side of the chestpiece is active (shallow hole drilled into metal stem).



eGeneralMedical Delphi Cardiology Stethoscope

Features

Fig. C

1. Four levels / tiers on the diaphragm cover provide acoustic sensitivity and maximum contact to patient; for high-frequency response. Diaphragm made of polyethylene. (Diaphragm can be removed by user to get low-frequency response)
2. Extra-deep “Oscillating Soundwave Bell” graded to amplify sound and deliver clear acoustics. Made of graded stainless steel.
3. Medical-grade PVC tubing is attached to chestpiece my covering 18-20 mm of the metal stem.

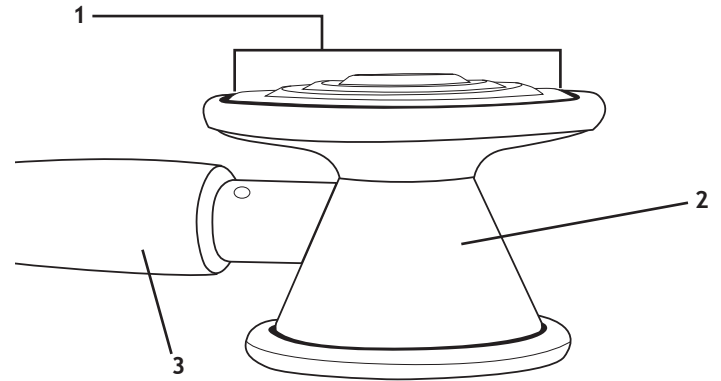


Fig. D

1. Medical grade PVC “Easy Fit” earpieces to prevent dry-rotting and cracking. Earpieces snap on and off with ease.
2. Adjustable Y-tubing. The user can adjust the tension applied to the ears by pulling apart or collapsing the “Y” area of the tubing.
3. Graded stainless steel binaurals.

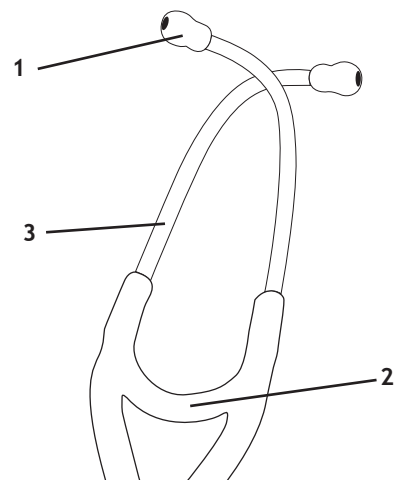
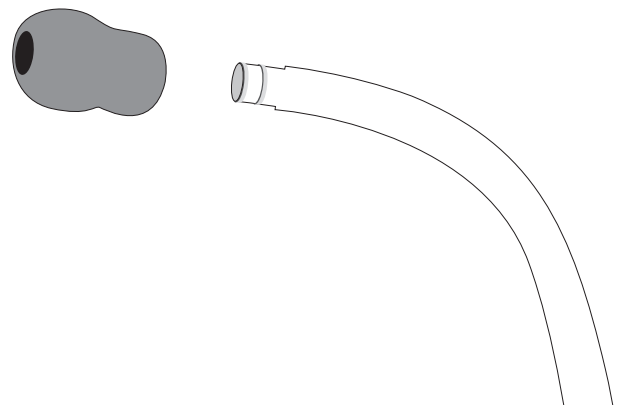


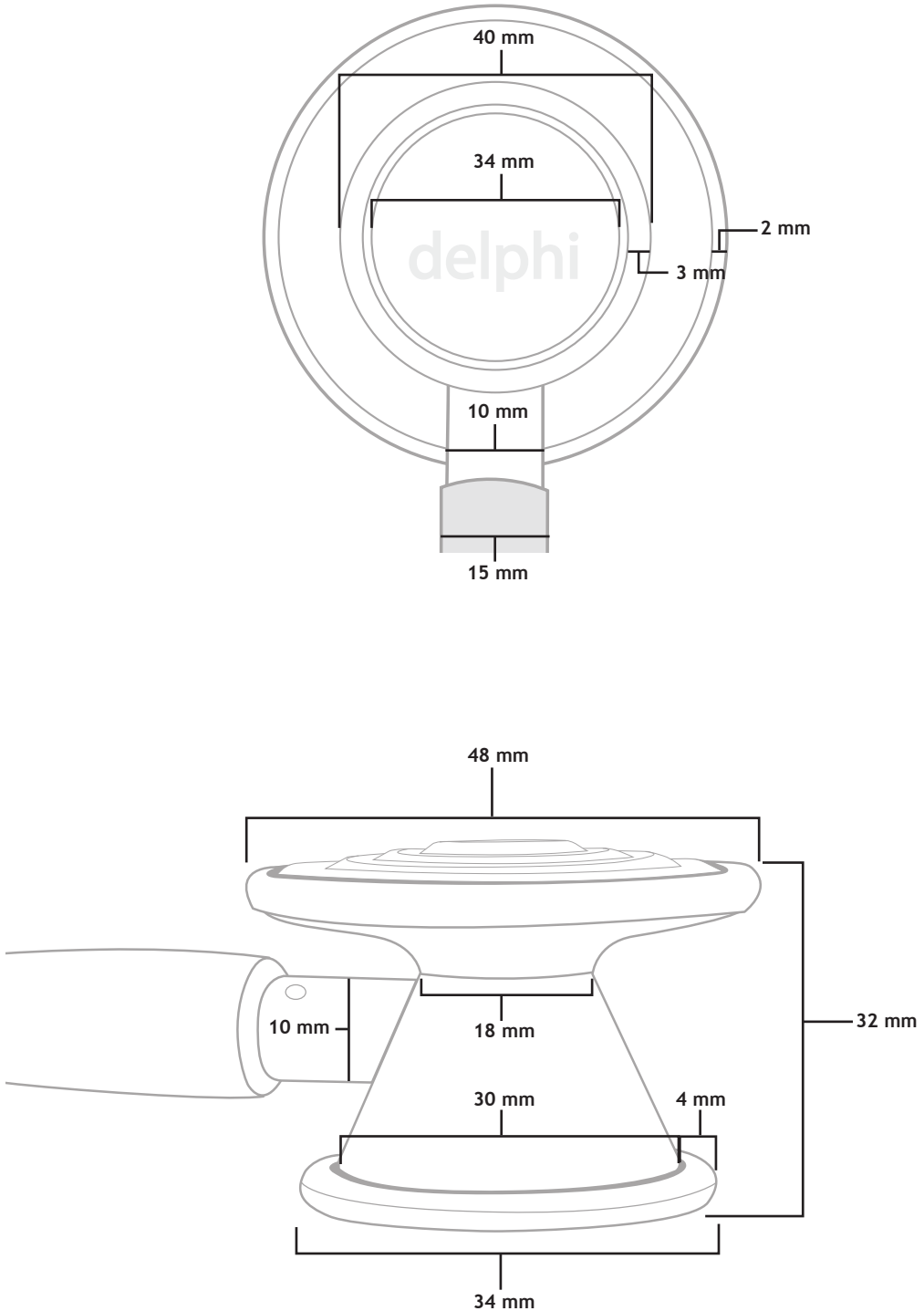
Fig. E

1. Earpieces are removable. There are 2 raised rings cut into the steel of the binaurals, to both secure the earpieces to the binaurals and make the earpieces easily removable for the user.



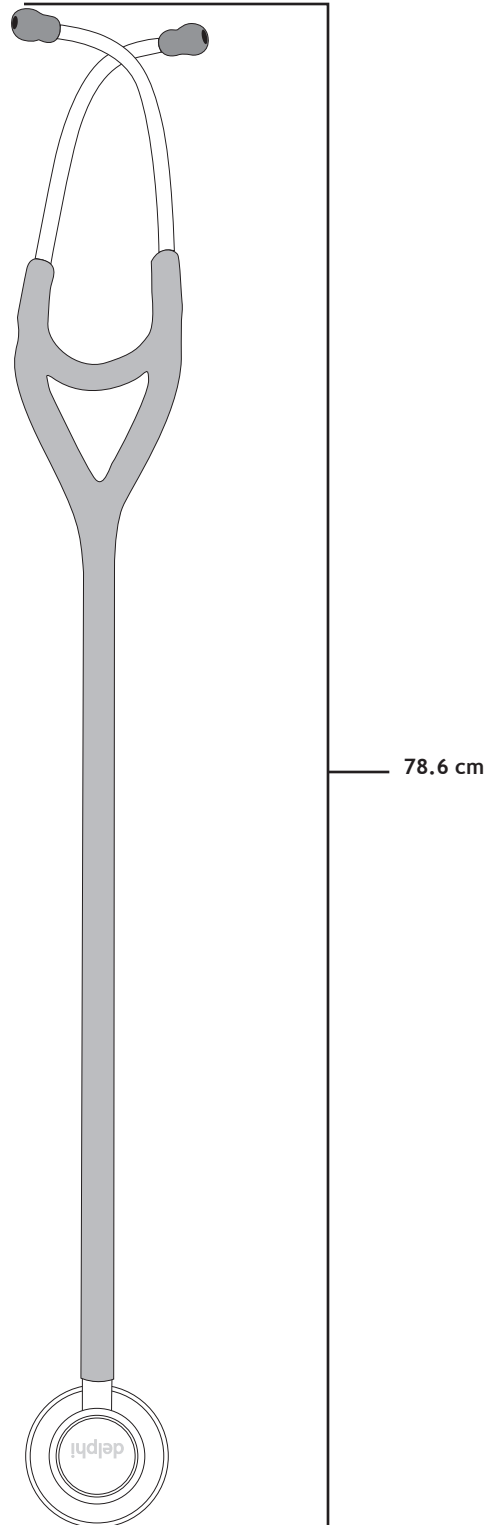
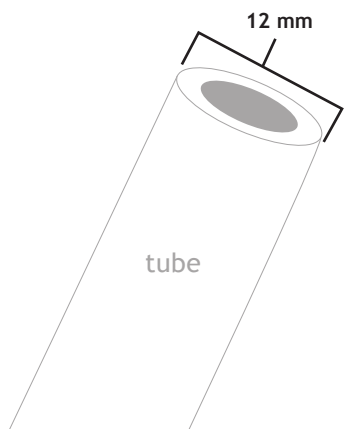
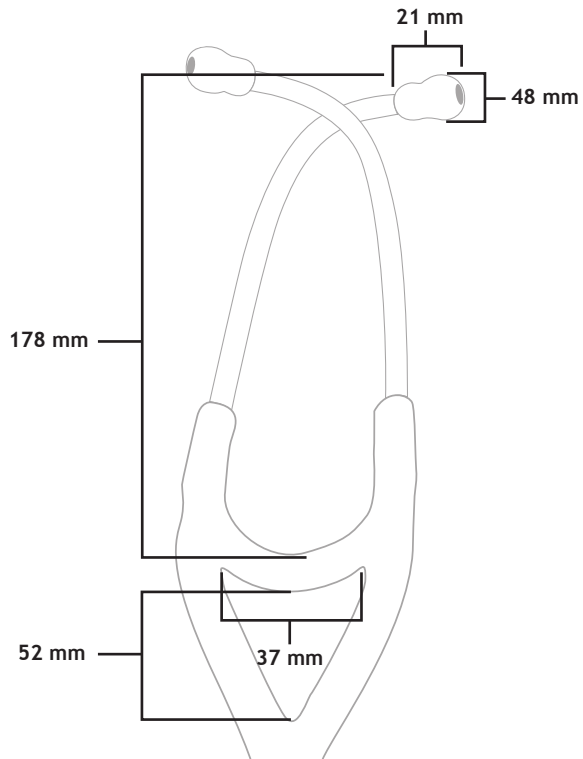
eGeneralMedical Delphi Cardiology Stethoscope

Dimensions



eGeneralMedical Delphi Cardiology Stethoscope

Dimensions





eGeneralMedical.com

The Best Equipment & Supplies for Students and Healthcare Professionals



eGeneralMedical.com is a company owned and operated by a practicing Physician Assistant. Specializing in medical, health and wellness products for healthcare professionals and individuals, we are a growing distributor of medical equipment, supplies, disposables, pharmaceuticals, medical apparel, and supplements.



Stethoscopes
& Accessories



Diagnostic
Sets



Logo Embroidered
Labcoats



P.A. Study Guides
& Review Books



PDA Bundles
specifically designed for
the practicing P.A.

At eGeneralMedical.com, we sell only high quality product line that caters to physician patients and to the consumer. We are located in Raleigh, North Carolina, the largest city in the Research Triangle Region, one of the leading areas for medical and pharmaceutical research in the world.

We also provide services and incentives for healthcare professionals, education centers and community organizations including: PIPEC (Purchasing Incentive Program for Education & Community), Medical Rewards, Honorarium Redemptions, Coupon Order Discounts. In addition to our newsletters, eGeneralMedical is further developing a resource center which delivers healthcare information, wellness tips and the latest medical news to professionals and consumers.

Top Quality Health Products at Low Prices!